

URBANISTIDE UUDISKIRI NR 7 / URBANISTS' NEWSLETTER NO. 7  
NOVEMBER 2011

**IT'S THE  
NEW YORK  
ISSUE!**

# U #7

NEW YOORK! NEW YOOORK!

U7 crosses continent borders and reflects moods and impressions from the Big Apple. The local's perspective is given by Neeme Raud, the Estonian journalist in New York, and Wilson Sherwin, a PhD student of sociology. Urban tourists Teele Pehk and Kadri Klementi reflect the New York Urban Design Week that took place in September as well as their impressions of the Capital of Disposable Dishes. The #OWS movement is brought to you through splendid photos by Michael Alexander Gould-Wartofsky.

And there's more in U – the Latvian cultural manager Zane Zajackauska visited the exhibition *After Socialist Statues* in Riga, Andreas Wagner introduces the internationally recognised coworking space concept that is taking roots in Tallinn and Lidia Zarudnaja describes the post cards aiming to involve more citizens into the design of their living environment. And as promised in U6 we're on our way towards a newsletter that we can share also with our foreign friends.

Last but not least – to celebrate Linnalabor's 5th birthday we invite all our Estonian, Latvian, American, German and other friends to our birthday party on November 2nd in project space MÄRZ, Tallinn. *Teretulemast!*

NEW YOORK! NEW YOOOORK!

U7 ületab mandripiirid, seda seoses Linnalabori sellesügisese reisiga Ühendriikidesse. Hetkeseisu meeleolusid ja muljeid Suurest Õunast panevad kohaliku perspektiivist kirja ajakirjanik Neeme Raud ja sotsioloogia doktorant Wilson Sherwin, Eesti vaatenurka esindavad urbanist-turistid Teele Pehk ja Kadri Klementi. New York säriseb globaalseks kasvavatest sündmustest, mida illustreerivad Michael Alexander Gould-Wartofsky suurepärase fotod Occupy Wall Street liikumisest. Võib-olla korraldavad tulevikuurbanistid maailmakaardi ääremaade ääremaal Eestis kunagi tulevikukodanike väljaastumisi? Miks mitte – U teeks küll reportaaži.

Lisaks võib Ust lugeda läti kultuurikorraldaja Zane Zajackauska ülevaadet Rael Arteli kureeritud näitusest *After Socialist Statues* Riias, tutvustusrubriigist leiata rahvusvaheliselt eduka koostöö- ja koostöötamise (*coworking*) idee adaptatsiooni sünniloo Tallinnas. Kodumaist integratsiooninäidet kohalike kaasamisest linnakeskkonna kujundusse tutvustab Narva linnafoorumil esinenud EKA linnamaastike tudeng Lidia Zarudnaja ja seda vene keeles. Head keelekümblemist! Üldse on heameel ära märkida, et peame oma eelmises uudiskirjas väljakäidud lubadust liikuda üha kindlamalt mitmekeelse üllitise suunas.

*Last but not least* - Linnalabori viienda tegutsemisaasta tähistamiseks ootame kõiki mõtte- ja teokaaslasi 2. novembri õhtul projektiruumi MÄRZ. *Welcome!*

## Välisvaatleja / A view from the distance

4 Who is an urbanist? – Neeme Raud

## Väliskorrespondendi veerg / Foreign correspondent's column

5 Occupy Wall Street. Coming Home To New York – Wilson Sherwin

## Reisimärkmeid / Travel notes

7 Ühekordsete toidunõude pealinnast ja Urban Design Weekist / Of the Capital of Disposable Dishes and Urban Design Week – Teele Pehk & Kadri Klementi

## Lubage tutvustada / May we introduce

9 Life and Work go hand in hand. Developing a coworking space in Tallinn – Andreas Wagner



## Üritused / Events

- 10 Toimunud, käimas ja tulemas / Past, present and future
- Postkaartide ideest Narva kivilinnafoorumil
- 12 *Знаю, как...* – Lidia Zarudnaja
- A review of *After Socialist Statues*, an exhibition at Riga's Contemporary Art Centre KIM? – Zane Zajanckauska
- 13
- 14 **Lugemist / Read me**  
Noppeid New Yorgi raamaturiulitest / Pickings from New York's bookshelves
- U & Mürileht**
- + Soodevahe järel – Sander Tint  
>> loe siit (*Mürileht nr 17*)



Foto: Michael Alexander Gould-Wartofsky



Foto: **Michael Alexander Gould-Wartofsky**

*Välisvaatleja / A view from the distance*

# WHO IS AN URBANIST?

**Neeme Raud**, New York

An urbanist... For me, this word has a strong New York accent. New York and Manhattan, its center, the ultimate urban jungle.

And New Yorkers - the ultimate city dwellers who love to bathe in the limelight of their home city.

For many of us, the relationship with the city has always been a certain love-hate affair. We take pride of the unique lifestyle (restaurant going as a sport, long walks as opposed to long drives), trends that are born here, the feeling that only sky is the limit, cosmopolitanism. And we hate the noise, trash piling up on sidewalks, the crowded and outdated subway.

And yet when you leave the city, you soon start to crave for it, like for a drug.

It is always great to return to New York and to feel that you are really part of it, a particle in the melting pot of the world.



Foto: **Michael Alexander Gould-Wartofsky**

*Väliskorrespondendi veerg / Foreign correspondent's column*

# OCCUPY WALL STREET. COMING HOME TO NEW YORK

**Wilson Sherwin**, PhD student

*We travel abroad to discover in distant lands something whose presence at home has become unrecognizable. –De Certeau*

For those who prize democratic and creative uses of urban space this is a particularly exhilarating time to be back in New York City. I left New York in June 2010 for an extended year in Europe largely because I had lost the feeling of being at home here. Sure, I was physically present, but the things I cherished no longer were. Gone were the rickety piers jutting out into the Hudson River (remnants of New York's sea faring days, and long standing

havens for adolescent and other outsiders' antics), the terrain vagues and community gardens once ubiquitous across lower Manhattan had been uniformly replaced by multimillion dollar condos. The New York City of my childhood and adolescence had been so thoroughly obliterated through a series of subtle and not so subtle processes that defined the Giuliani and post-9/11 years – gentrification, commercialization, increased securitization – that I no longer knew how to situate myself in the city. As a result I spent much of my early twenties in a strange state that resembled, at least to my heart, a curious form of exile.

The past year I lived, studied (and well, of course drank) in Berlin, Brussels, Manchester, Marseille, Tallinn, Turku, and more than a dozen other cities. It was a fairly remarkable experience for me as it helped render visible both why these spaces (we'll call them urban ruptures) had seemingly all but disappeared from cities across much of North American and Europe and what their relevance really is. What I learned along that year, is that these rapidly disappearing ruptures don't simply militate against monotony by offering supple spaces people can appropriate for playing or building community. It's also that these places provide a space in which the conflict, contestation and heterogeneity so necessary for democracy, can thrive.

The most thrilling current example evincing that the use of (urban) space is far from neutral, but rather sites through which powerful political and economic forces ratify their interests is of



Foto: **Michael Alexander Gould-Wartofsky**

course the Occupy Wall Street movement. OWS has not only successfully occupied a small park a few meters away from Ground Zero, but also, presented a significant rupture in the dominant discourses and discussions related to the developments shaping cities and lives across the globe. New York City has been enlivened by this movement and the renewed sense of possibility is palpable.

Despite the criticisms emanating often from much of the mainstream media, many New Yorkers would argue OWS's undefined openness is not its fatal flaw, it is rather, the seductive allure of the movement. After so many years in which the vast majority of Americans hoped we could weather the storm of (yet another) crisis of capitalism simply by putting our heads down, working a few extra shifts, going back to school and generally muscling our way through, we've reached the conclusion that this isn't going to work for 99% of us.

It's hard to know precisely what OWS will develop into, but for the time being the movement is like that exquisite, early moment in a new relationship when you turn to another (perhaps equally flawed) human being and say: "What shall we create you and I? What are we willing to work for? What should we worship and hold most sacred and what should we leave behind as superfluous and arcane?". That delirious, playful moment in which there are no constraints, no rules but kindness and communication; the desire to do better than before. Even if OWS doesn't turn out to be the transformative movement so many of us

are hoping for, the very fact that it has succeeded in initiating these kinds of discussions, is thrilling. And for possibly the first time in my adult life I can honestly say there isn't anywhere else in the whole damn world I'd rather be than right here in lower Manhattan.

Come to think of it, with incredible free dinners, a library, a massage stand, even a cigarette table, you really don't even need a date in New York City when you've got Occupy Wall Street.

\* Eesti korrespondendid Tarmo Jüristo ja Henri Laupmaa #OWS-i kajastamas: <http://memokraat.ee>

## FESTIVAL URBAN DESIGN WEEK:

korraldajaks linnateemadega tegelevaid eksperdiorganisatsioone koondar INSTITUTE FOR URBAN DESIGN; koostöös Columbia Ülikooli, kohaliku arhitektide liidu ja kümnete teiste partneriga loodud nädalane üritustesari - seminarid, filmiõhtud, joonistamise töötuba linnaplaneerimise ametis, tudengitööde esitlused, piknikud pargis... Kogu festivali kajastar raamat *By the City / For the City: An Atlas of Possibility for the Future of New York* - kahe inimese töö vili!

## REISI-MÄRKMEID

ühikordsete toidunõude pealinnast ja Urban Design Weekist  
-Teete Pehk  
& Kadri Klementi

New York & Tallinn - samad probleemid, eri mastaabid:

kuidas aktiveerida ja kaasata kodanikke? kuidas ühildada linnaaameetnike vanad tööriistad kodanikealgatuste interaktiivsete rakendustega?



## NYC Big Apps

New Yorgi linna konkurss  
it-arendajatele avalike andmete  
paremaks kasutamiseks  
uudsete rakenduste kaudu  
<http://2010.nycbigapps.com>



linnaruumist ja  
kodanike kaasatusest

RAADIOINTERVJUU  
Neeme Raudle  
Reporteritund  
20.09.2011 > kuula!



aastakümnete pikkuste  
traditsioonide ja kogemusega  
eksperdiorganisatsioonid nagu  
erinevate avalike ruumide ja  
transpordi kaudu linnaruumi  
elavdamise teenuseid ja  
konsultatsiooni pakkuv PROJECT  
FOR PUBLIC SPACES ning  
juba 1894. aastal asutatud  
arhitektuuriteemalise teavitamisega  
tegelev VAN ALLEN INSTITUTE,  
mis avas hiljuti arhitektuuri- ja  
disainiteemaliste raamatute poe





Foto: **Michael Alexander Gould-Wartofsky**

*Lubage tutvustada / May we introduce*

# LIFE AND WORK GO HAND IN HAND. DEVELOPING A COWORKING SPACE IN TALLINN

**Andreas Wagner**, community manager

This slogan is likely to be the essence of coworking, if there is any at all for this broad "hype"

concept describing the "future of work". But what does that mean on the ground for me, new to this northern capital? Being a Berlin-based urbanist interested in forms of work organisation, I used to study in Tallinn in spring 2011. Now it is end of October, and I am here the third time, looking for collaborators and coworkers alike. If I am successful in promoting this idea, a place could be established in the next three to six month.

Coworking is actually a simple concept. It refers to people sharing a common work environment, classically a café, to work on their own projects, typically laptop based, but usually without the need of a specific office infrastructure. Although they could probably do this at home alone, there's a tendency to come together and exchange ideas, thoughts and "togetherness" in an open, transparent, collaborative and communicative office-like surrounding.

Tallinn is an underestimated place. As an outsider you might have heard of its image as a tourist magnet. This being true, Tallinn hosts thousands of visitors every year, astonished by its beautiful city center. What has been more astonishing to me while studying here is the group of extremely active and ambitious people - in business, NGO sector and cultural activities alike. Then again, discussing with people from Linnalabor, b210, Kultuurikatel, hackerspace and a multitude of other backgrounds - startups, students, residents, expats - I realized that ideas are manifold, but the space to develop, discuss and finally realize them is rare.



Foto: **Michael Alexander Gould-Wartofsky**

This is where my interpretation of coworking comes in. Having studied this on the example of betahaus and the HUB in cities such as Berlin, Brussels and Zurich, I believe there is a need for a workspace where a mixed user base can join in and rent desks on flexible basis.

However, unlike traditional incubators - of which there are many in Tallinn - this coworking space needs to be co-produced by a collaborative community. Communication is everything. This place is from users for users. We will follow the betahaus-logic of "constant beta phase", meaning to try out things and see where they will take us. We will adjust along the way rather than present a final product in the beginning.

Having said that, yes, this is a business. And yes, we need to discuss urban work relations in our contemporary economy, being struck by one crisis after another. But let's see if we can't come up with some ideas to overcome at least some of these problems by just working side by side, no matter the project being digital or analogue.

>> follow the developments

blog: [www.tooklubi.com](http://www.tooklubi.com)

twitter: [@cowork\\_tallinn](https://twitter.com/cowork_tallinn)

fb: [www.facebook.com/tooklubitalinn](https://www.facebook.com/tooklubitalinn)

# ÜRITUSED

## TULEMAS

2. november

### Linnalabor 5!

Linnalaboril täitub viies tegutsemisaasta, mida oled oodatud koos meiega tähistama! Projektiruumis MÄRZ (Olevimägi 7, Tallinn) toimuval peol mängivad urbanistid plaate ja esineb punktrupp, töötab joogibaar, peetakse kõnesid ja vaadatakse kriitilise pilguga üle kõik, mida Linnalabor nende aastate jooksul teinud on. Sünnipäevakingina kogume uktsel piletiraha 3 eurot. Pidu algab **kell 20** ja kestab varaste hommikutundideni!

Täpsem kava [www.linnalabor.ee](http://www.linnalabor.ee)

/

Linnalabor (Estonian Urban Lab) invites you to celebrate its 5th year of existence! On November 2nd in the project space MÄRZ (Olevimägi 7, Tallinn) urbanists are playing music and a punk band is performing, bar is operating, speeches are held and a retrospective is given to everything that Linnalabor has achieved. As a birthday gift we collect 3 euros entrance fee. The party starts **at 8** and will last until early morning!

Party programme at [www.linnalabor.ee](http://www.linnalabor.ee)

2. - 4. november

**Rahvusvaheline maastikuarhitektuuri kongress  
"Mind the Gap. Landscapes for the New Era"**

Teemaderingi iseloomustavad järgmised sõnad:  
Gap. Problem. Difference. Limitation. Interruption.  
Hole. Divergence. Emptiness. Disparity. Conflict.  
Disruption. Lähemalt esinejate kohta loe  
programmist.

8. november

**Telliskivi Seltsi foorum "Miljööalad"**

Järjekordne foorum, sedakorda teemaks  
miljööalad, nii kehtestatud kui ka kavandatavad  
miljööalad. Foorumis otsitakse vastuseid  
hoonete renoveerimise, planeerimise ja üldiselt  
linnakeskkonna arengu küsimustele. Sekka  
käsitletakse ka linna üldplaneeringut ja selle  
suhet miljööaladesse. Suud pruugivad Riin  
Alatalu (Kultuuriväärtuste ameti miljööalade  
osakonna juhataja), Olari Kärmas ja Mihkel  
Kõrvits (Linnaplaneerimisameti üldplaneeringute  
osakonnast) ning ehitusfirma esindaja, kes  
jagab praktilisi kogemusi miljööalade hoonete  
renoveerimisel. Modereerib Triin Talk, endine  
KVA miljööalade peaspetsialist. Toimub Kalamaja  
Põhikoolis.

11. november

**Pärnu linnaarhitekti Olev Siinmaa  
sünniaastapäeva konverents**

Konverentsil tulevad ettekannetena käsitlusele  
järgmised teemad: Lõuna 2a restaureerimine  
(arhitekt ja Eesti Arhitektide Liidu liige Jaak  
Huimerind, eramu omanik, ettevõtja Viljo Vetik);  
villa Toots ja villa Stein-de Monzie: unistus suurest  
arhitektuurist (kunstiteaduste magistrant Annika  
Toots); kui arhitektiks pidas Siinmaad Eesti riigi  
bürokraatia? (Eesti arhitektuuriajaloolane Mart  
Kalm); Eesti funktsionalismi mitmekesisus (Eesti  
Kunstiakadeemia teadur Epp Lankots); Pärnu - linn ja  
moodsa arhitektuuri kuvand (Eesti Kunstiakadeemia  
doktorant Triin Ojari). Toimub Pärnu muuseumi uues  
majas (Aida 3).

14. november

**Launch event of the Urban Institute in Riga**  
Including a lecture by Phil Wood (UK) "Community  
Planning". More information: Jonas Büchel  
(balticplanning@gmail.com)

14. november

**Ruumilise planeerimise välisseminar**  
Tartu Ülikooli Pärnu kolledž on 2010. a suvest  
käivitanud ruumilise planeerimise täiendusõppe  
kursused. TÜ Pärnu kolledžil on koostöö  
maavalitsusega kindel kavatsus muuta ruumilise  
planeerimise täiendusõppe süstemaatiliseks. Eesti  
väiksusest ja naabermaade (eeskätt Soome)  
kvaliteetkogemusest tulenevalt on selgunud  
vajadus importida oskusteavet planeerimisalase

tegevuse tagajärjel tekkivate või arvestamist  
ja leevendamist vajavate erinevate mõjude  
hindamise alal. Kokkuleppel Siseministeeriumi  
planeeringute osakonnaga korraldatakse 14.11  
Pärnu kolledžis ruumilise planeerimise mõjude  
hindamise seminar 'Eesti õppimas heast  
planeerimiskogemusest'. Registreerumine: [http://  
pc.ut.ee/ruumilineplaneerimine](http://pc.ut.ee/ruumilineplaneerimine)

**KÄIMAS**

7. oktoober - 4. detsember

**Eesti Arhitektide Liidu 90. juubeliaastale  
pühendatud näitus „Jäljed“**

Arhitektuurimuuseumisse ehitatud omapärasel  
maastikul jalutades saab ülevaate Eesti Arhitektide  
Liidu olulisematest eesmärkidest, võitudest ja  
sekkumistest esimese vabariigi ja nõukogude  
perioodil ning täna.

**TOIMUNUD**

20. - 28. oktoober

**Coworking in Tallinn**

Kultuurikatla praeguses kontoris ja Märzi  
projektiruumis toimunud koostööruumi esimene  
katsetus ning tulevase koostööruumi loojate  
töökohtumised. Silma tasub peal hoida veebilehel  
[www.tooklubi.com](http://www.tooklubi.com)

19. - 21. oktoober

**Rahvusvaheline loomemajanduse konverents  
Creative Entrepreneurship for a Competitive  
Economy**

Euroopa suurim loomemajandussündmus.  
Konverentsil alustati diskussiooniga teemal, kuidas  
tegelikkuses loomemajandust mõistetakse ja  
toetatakse.

21. oktoober

**Kunstikriitika päev 1: diagnostika**

Kunstikriitikute ühenduse AICA Eesti ja Artishoki  
ühisalgatus, mille eesmärgiks oli kaardistada  
võimalikult erinevaid vaatenurki ja probleemkohti  
Eesti kunstikriitika maastikul. Muuhulgas peeti  
maha sessioon arhitektuuri- ja disainiajakirjadest  
ning omaalgatusliku meedia blokk, milles osales ka  
uudiskiri U.

18. oktoober

**Kergliikluse käräjad**

Teemaks olid kergliikluse edendamine,  
soodustamine, liikluses ellujäämine, tänavate  
remont jne. Sõna said Maario Laas (Rattarikkaks),  
Markus Varik (Velonaut), Jaan Tarmak (Tallinna  
Transpordiamet), Villu Metsur (Tallinna  
Kommunaalamet), modereeris Teele Pehk  
Linnalaborist. Ürituse protokoll siin.

18. - 19. oktoober

### Tartu kivilinnafoorum

Arhitektuurikeskuse korraldatud kivilinnafoorumi teemaks oli „Kuidas arendada Annelinna elukeskkonna kvaliteeti?“. Foorum koosnes kinnistest töötubadest ja avalikust arutelust, kuhu olid kaasatud kohalikud elanikud ning valdkonna eksperdid nii Tartust kui ka mujalt Eestist.

13. - 17. oktoober

### Fotoprojektsioonide sari (Fotokuu raames)

Tallinna linnaruumiga suhestus kohaspetsiifiline fotoprojektsioonide sari "Koht, mis muutis mind" ja linna peal laiali korterinäitused "Sosistavad ruumid".

3. - 9. oktoober

### Töötuba "Vaba linn"

Kultuurikatla kontoris toimunud töötuba, kus tehti algust vabavara ja Arduino riistvara kasutavale prototüübile, mis tegeleb Tallinna jalgratturite, lapsevankriga või ratastoolis liikuvate inimeste liikumistrajektoore ja teeolude eripärade uurimisega.

8. - 11. september

### Tallinna Arhitektuuriennaal TAB

Esimene TAB keskendus arhitektuuri, maastikuarhitektuuri ja urbanismi teemaderingile, mille võtab kokku rahvusvaheliselt tuntud nimetus maastikurbanism (Landscape Urbanism). Ürituse kohta vaata fotoreportaaži ja meenutusi viimasest Müürilehest.

распространения информации. Маленькую и красивую открытку просто и приятно взять с собой. Распространять открытки можно во многих местах: школах, в том числе уроках труда, торговых центрах, библиотеках, кафе, информационных пунктах...

Проблема, рассмотренная при создании первой серии – как простыми средствами улучшить среду обитания и активизировать жизнь между домами. Ее возможное решение - уличная мебель и малые формы, которые смогут сделать самостоятельно 2-3 человека в течение половины дня. Например, шезлонг, качели, стол для пинг-понга или песочница. Прекрасная возможность пообщаться с друзьями на свежем воздухе и сделать что-нибудь полезное. В следующих сериях могут быть затронуты другие необходимые вопросы, в зависимости от потребностей жителей.

На открытке с лицевой стороны изображены чертеж с размерами и картинка объекта. С обратной стороны - инструкция по выполнению, перечень необходимых материалов, возможные варианты финансовой поддержки и значек с минимальным количеством человек, необходимым для реализации. Также с обратной стороны оставлено место для адреса с маркой, как в обычной открытке. Возможность отправить открытку дальше подчеркивает идею распространения информации. Сделал сам стол для пинг-понга - отправь открытку другу.

Так как открытки наверняка попадут в соседние города, название серии «НАРВА знаю, как...» может стать частью идентитета Нарвы. В качестве города, который знает, как сделать что-то полезное.

# СЕРИЯ ОТКРЫТОК «ЗНАЮ, КАК...»

Лидия Зарудная

Идея появилась в процессе Форума каменных домов в Нарве, который проводил Эстонский центр архитектуры. Форум был посвящен теме: «Как инициатива местных жителей может обогатить район хрущевки в центре Нарвы». Из разговора с местными жителями стало ясно, что для изменения окружающей среды не хватает свежих идей и информации, как эти идеи реализовывать.

На семинар или мастер-класс иногда нет возможности прийти, поэтому хотелось использовать легко доступный и удобный вариант

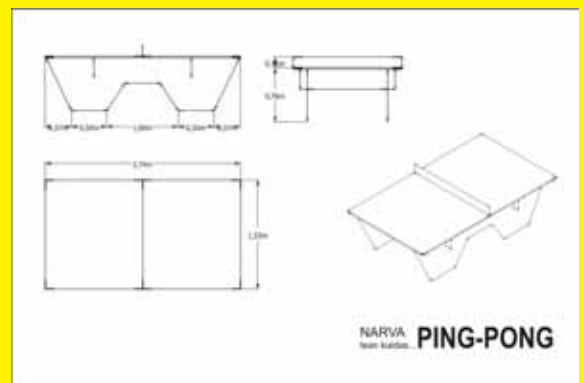




Foto: **Michael Alexander Gould-Wartofsky**

# AFTER SOCIALIST STATUES

An international contemporary art exhibition curated by Rael Artel at Contemporary Art Centre KIM? in Riga, 24.-30.10.2011

## Zane Zajackauska

The exhibition's title *After Socialist Statues* sounds like a large-scale three-course dinner at a restaurant. Instead, the exhibition reminds of a well-considered brunch with few friends, leaving light but lasting aftertaste. The exhibition, curated by Rael Artel, was to be seen in Riga at the contemporary art centre KIM until October 30.

The selection of works in an unobtrusive but meaningful manner approaches both the idea of statue and its contemporary interpretations as well as the idea of post-socialistic condition as such. The exhibition brings together artists from Eastern Europe and in more detail from the context of its cities - Riga, Poznan, Vilnius, Tallinn and Tblisi. The exhibition is a part of the project framework *Your*

*Periphery is My Centre* curated by Rael Artel. *After Socialist Statues* is the second in the row, first exhibition *Lost in Transition* took place last summer in Contemporary Art Museum of Estonia in Tallinn. Furthermore, the third exhibition of this cycle with participation of Latvian artist Kaspars Podnieks will take place in November 2011 in Bialystok, Poland.

The most emotive image that remains in a visual memory after seeing the exhibition is Flo Kasearu's (Tallinn) work *Riga Runaway*. It is a video showing an animation loop of a white horse being projected on city surfaces from a car driving through Riga in the night. The horse appears and disappears, depending on the city silhouette which is used as a projection screen. While addressing the viewer also on a purely poetical level, *Riga Runaway* contributes to the question raised by the exhibition's title - what is a statue nowadays, after the era of statues? Are not stencils, graffiti, urban interventions the real statues, being the most successful in capturing the temporarity, adaptability, communicability, obsession with user-created-content, so characteristic to the beginning of the 21st century? Another, very local bypass, opened by Kasearu's video is the idea of the silhouette of Riga Old Town being protected by UNESCO as world cultural heritage. There comes the cheerless revelation that we are allowed to corrupt all the content, but the silhouette should be kept undamaged.

Locality-based associations are also

awoken by a tent, made of patchwork of cloth and put up in the exhibition's space (artwork by F. Orłowski (Poland)). Putting up a tent in front of a government's building since 1990s has been one of the trademarks of protest in a Latvian style: putting up a tent and staying there even if it is -10 degrees outside; putting up a tent and announcing a hunger-strike; playing on the emotions but at the same time not showing them. In a way tents in front of the government's building have indeed become temporary statues in the public space and might even be taken as statues for a post-socialist condition. For Franciszek Orłowski, though, the tent has been a continuation of a more affectionate and human experience. He has met homeless men in the city, sat next to them, talked and exchanged - clothes, things, stories - one after another. The photo-documentation of an exchange act is shown in the exhibition's room as well. And clothes of accidental acquaintances has been recycled into the tent. Homeless people have become inevitable ingredient of any city since the 1990s, when there is no militiaman to chase dossers away from the streets, as well as certain alienation of the citizens has become inevitable part of city life. Personal communication, warmth and closeness, even intimacy, that is to be observed in Orłowski's act, reminds rather rural than urban.

Alienation is approached also in the work by Paul Kuimet (Tallinn), portraying new kind of "neighborhoods": alienated environment of private-housing areas, extensively built and sold by property developers during the last decade. A fulfilled dream that looks like a nightmare from a distance.

Vita Zaman (Berlin/New York) and Sophia Tabatadze (Berlin/Tbilisi) both approach the idea of change in their works, though via different media and contexts. Vita Zaman uses the format of an intentionally naïve provincial TV-series, intentionally banal characters, plot and aesthetics. And precisely due to the intentional exaggeration succeeds to create a multi-layered message about the changes in the after-socialist society. Sophia Tabatadze uses printed fabric and her drawings to draw attention to the rapid and constant change in city-space as a sign of contemporarity.

I recommend to the wider public to see the possibility for the future in that very exhibition, since the heroic statues have been removed and there is no common language for the condition of post-socialist public space. New statues may have more to do with life-styles and social behavior than clay and concrete.

# LUGEMIST

## **NOPPEID NEW YORGI RAAMATURIILITEST / PICKINGS FROM THE BOOKSHELVES OF NEW YORK**

Institute for Urban Design / 2011

### **By the City / For the City: An Atlas of Possibility for the Future of New York**

The Atlas is a 352-page compendium of the schemes & dreams that hundreds of New Yorkers and designers around the world shared in the lead-up to the first-ever Urban Design Week in September 2011. The Atlas represents the collective portrait of how we imagine the future, a crowdsourced testament to the ingenuity the many people who love New York.

Project for Public Spaces / 2007

### **The Great Neighbourhood Book**

The book explains how any community can be improved and enlivened, not by vast infusions of cash, not by government, but by the people who live there. Through real-life stories, this book addresses such challenges as traffic control, crime, comfort and safety, and developing economic vitality. Offering compelling evidence of how people in communities have enhanced their own neighborhoods through "Placemaking" – the PPS term for the process of transforming public space – this exciting guide offers inspiring real-life examples that show the magic that happens when individuals take small steps, and motivate others to make change. This book is a must-read not only for neighborhood activists and concerned citizens but also for urban planners, developers and policy-makers.

Project for Public Spaces / 2001

### **Public Parks, Private Partners**

This publication shows how the public and private sectors have joined together in new and innovative ways, not only to develop new parks and to more efficiently fund and manage parks, but also to restore historically significant but run-down existing parks. Featuring examples of different types of partnerships throughout US it's a valuable tool for anyone involved in creating, preserving or managing urban parks.

Project for Public Spaces / 2005

### **How to Turn a Place Around**

How to Turn a Place Around is a user-friendly, common sense guide for everyone from community residents to mayors on how to create successful places. The ideas presented in this book reflect Project for Public Spaces' thirty years of experience in helping people understand and improve their

public spaces. The book illustrates a community-based, "place oriented" process organized around the eleven basic principles for creating successful public spaces, as well as methods that anyone can use to evaluate a space.

Rem Koolhaas / 1978

### **Delirious New York: A Retroactive Manifesto for Manhattan**

Rem Koolhaas's 'Retroactive Manifesto for Manhattan' posits New York as the arena for the terminal stage of Western civilisation. Through the simultaneous explosion of human density and invasion of new technologies, Manhattan became, from 1850 on, a mythical laboratory for the invention and testing of a revolutionary lifestyle: the Culture of Congestion.

editors Duany, Plater-Zyberk & Speck / 2001

### **Suburban Nation. The Rise of Sprawl and the Decline of the American Dream**

Can our neighbourhoods be saved? New Urbanist pioneers Andres Duany, Elizabeth Plater-Zyberk and Jeff Speck offer solutions in their book.

Jane Jacobs / 1961

### **The Death and Life of Great American Cities**

It is a greatly influential book on the subject of urban planning in the 20th century. First published in 1961, the book is a critique of modernist planning policies claimed by Jacobs to be destroying many existing inner-city communities.

>> Kõik teosed on laenutatavad Linnalabori üle 200-teoselisest raamatukogust, millega saab tutvuda siin.

>> All books are in Linnalabor's library, check out our collection online or drop by to browse the shelves!

## **MEEDIA**

Eesti arhitektuuri ajakiri / Estonian Architectural Review

### **MAJA 3/2011: Maja taga / Beyond Building**

Linnalabori 5. sünnipäevale pühendatud ning Kadri Klementi ja Linnalabori koostöös kaaperdatud number kõigest, mis arhitektuuri ümber - suhtevõrgustikud, ideed ja nende elluviimise viisid.

toimetaja Kaja Pae

### **Linnafoorumite raamat**

Koondab 2009. ja 2010. aastal Tallinnas, Pärnus, Narvas, Tartus, Rakveres ja Viimsis toimunud linnafoorumite materjale ning käsitleb nende piirkondade ruumilise planeerimise probleematikat. Raamat on inglise ja eesti keeles, koostajaks Kaja Pae, kirjastaja Eesti Arhitektuurikeskus. Raamatut võib küsida Eesti Arhitektuurikeskusest Lai 31, Tallinn.

Marika Age / Mürileht, sügis 2011

### **"Mutability hoolitseb avaliku ruumi visuaalse käekäigu eest"**

Intervjuu tänavakunstnike rühmituse Mutability liikmetega.

Sander Tint / Mürileht, sügis 2011

### **"Soodevahe järel"**

Uwe Gnadenteich / Postimees 22.10.2011

### **"Professorite küla selts asub Koplis ajaloolist miljööd kaitsma"**

"Professorite Küla Seltsi üks eesmärke onl kaitsta ja säilitada piirkonna ajaloolist pärandit. Kohalike elanike heaolu suurendamiseks soovitakse parendada piirkonna turvalisust ja üldist heakorda. Seltsi kaudu hakkab toimuma ka kohaliku kogukonna huvide esindamine kohaliku omavalitsuse ja teiste võimuesindajate juures."

Damiano Cerrone / RSE 1.10.2011

### **"Tallinn, opening to the seaside"**

Tallinna kui merelinna staatusest, ajaloolistest põhjustest rannajoone kujunemisel ja kaasaegsetest arengutest, muuhulgas ka planeeringust Tallinn 2025.

Tomomi Hayashi / Sirp 21.10.2011

### **"Pealelend"**

BAUA väljapanek „Maakera - jaga oma visiooni ja kujunda oma keskkonna tulevikku!" UIA kongressil Tokyos 25. - 28. septembril, autor Mark Grititlihti (Eesti), kuraator Tomomi Hayashi (Eesti). Baltimaade väljapanekust teemal "Disain aastal 2050".

Villem Tomiste / Sirp 21.10 2011

### **"Baltlaste maakera Jaapanis"**

Rahvusvahelisest Arhitektide Liidu XXIV maailmakongressist Tokyos 25. - 28. september.

Karri Tiigisson / Sirp 30.09.2011

### **"Pärnu rand"**

Pärnust kui traditsioonilisest kuurortlinnast ja rannaala laiendamisest.

Gregor Taul / Artishoki blogi 8.09.2011

### **Teretulemast Taunolinna!**

Linnakodanike korstnaehitus-aktsiooni kajastus.



Foto: Michael Alexander Gould-Wartofsky

URBANISTIDE UUDISKIRI NR 7  
NOVEMBER 2011

*linnalabor*

Maastiku-  
arhitektuuri  
Galerii



**Toimetajad:** Kaija-Luisa Kurik, Keiti Kljavin, Teele Pehk + **Kaastööd:** Neeme Raud, Wilson Sherwin, Andreas Wagner, Lidia Zarudnaja, Zane Zajanckauska + **Täname:** Maastikuarhitektuuri Galerii + **Kaanel:** New York. Kadri Klementi

Paari kuu tagant elektroonselt ilmuvat urbanistide uudiskirja U annab välja Linnalabor. / The urbanists' newsletter is published by the Estonian Urban Lab (Linnalabor) after every 2-3 months. / [www.linnalabor.ee](http://www.linnalabor.ee)  
U7 väljaandmist toetab Kultuurkapital. / U7 is supported by the Cultural Endowment of Estonia.